

Characteristics

Mono-phase fan
3-phase electrical heater
Tailor-made height
Compact design
High pressure Airstop
Preferred height 2.50m (to 3.0m max.)
Temperature difference 20-30°C

Models

COMPACT450-S (single standing)
COMPACT450-DS (double standing)

Application

450-S up to 1.60m door width
450-DS up to 2.50m door width
Shops and supermarkets
Entrance of office buildings
Public buildings

Options

RAL colour
Stainless steel
Extension up to ceiling (dummy)

Steering

5-step steering
Special adapted panel

Heating

3-step electrical heater



Masterveil Europe*

Brusselbaan 192, BE-9320 Erembodegem

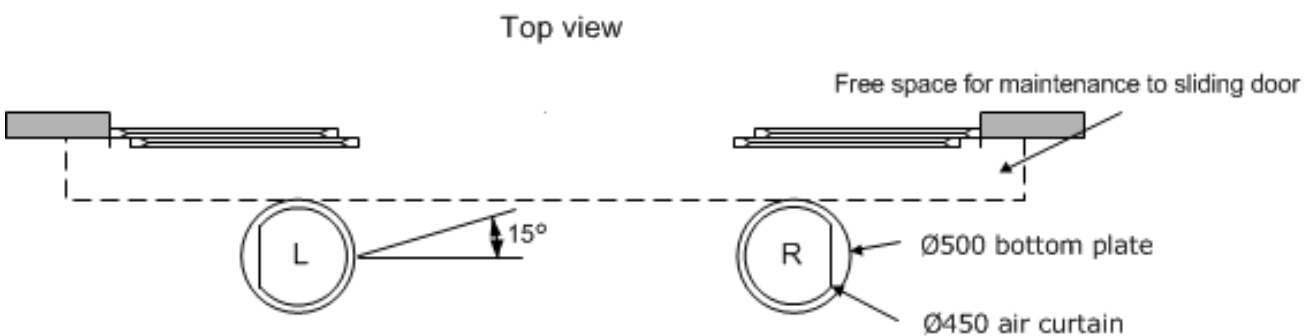
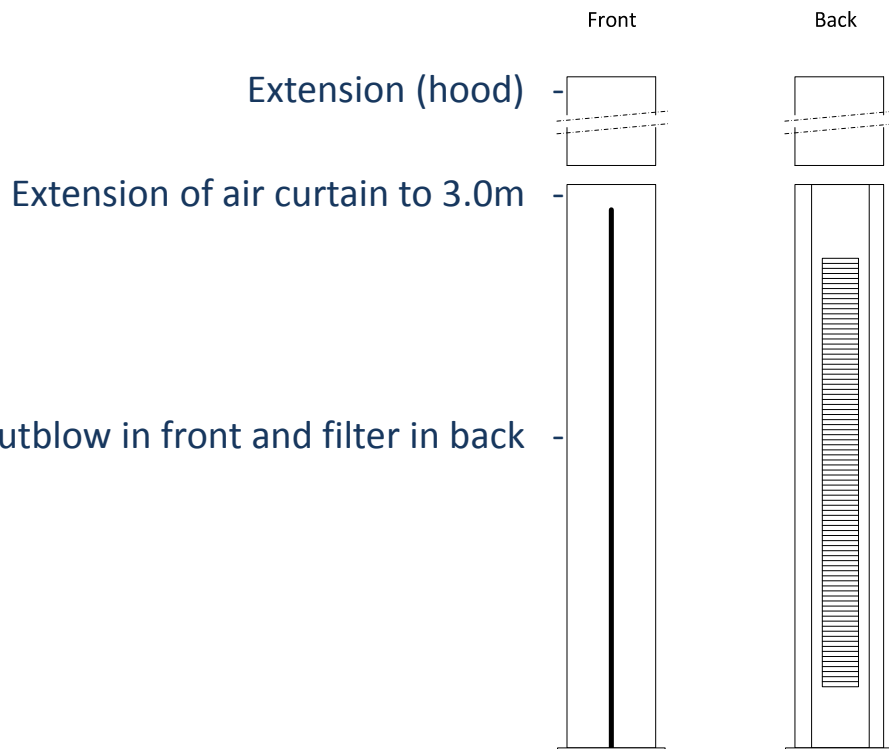
Tel: +32 (0)53 60 78 90 | Fax: +32 (0)53 60 78 99 | Mail: office@deweerdtd.be

* Masterveil is a subsidiary of Deweerdt BVBA

Additional characteristics

- . Exclusive design in beautiful circular shape
- . Supply of (only) electricity at top or bottom by choice
- . Outblow angle can be chosen
- . Special extension (hood) to connect to ceiling

Different parts:



COMPACT400 has a fixed outblow angle of 15°. The special shaped bottom plate makes it possible to increase the angle up to 30°.

Masterveil Europe*

Brusselbaan 192, BE-9320 Erembodegem

Tel: +32 (0)53 60 78 90 | Fax: +32 (0)53 60 78 99 | Mail: office@deweerdtd.be

* Masterveil is a subsidiary of Deweerdt BVBA